

KB9503B

# HEIGHT-ADJUSTABLE PIANO BENCH

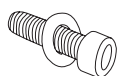


Congratulations on your purchase of the KB9503B Piano Bench!  
Please read the following instructions carefully.  
We hope you enjoy your new purchase.

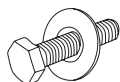
## Components

\*Parts not drawn to scale.

Visit [On-Stage](#) for the most recently-updated instructions.



Screw with Washer (x4)



Bolt with Washer (x2)



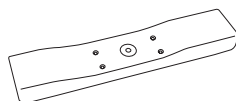
Wood Screw (x8)



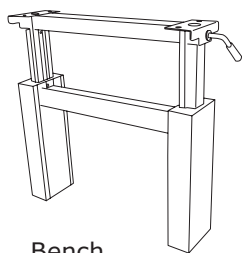
Allen Key (x1)



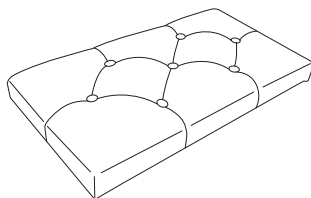
Hex Wrench (x1)



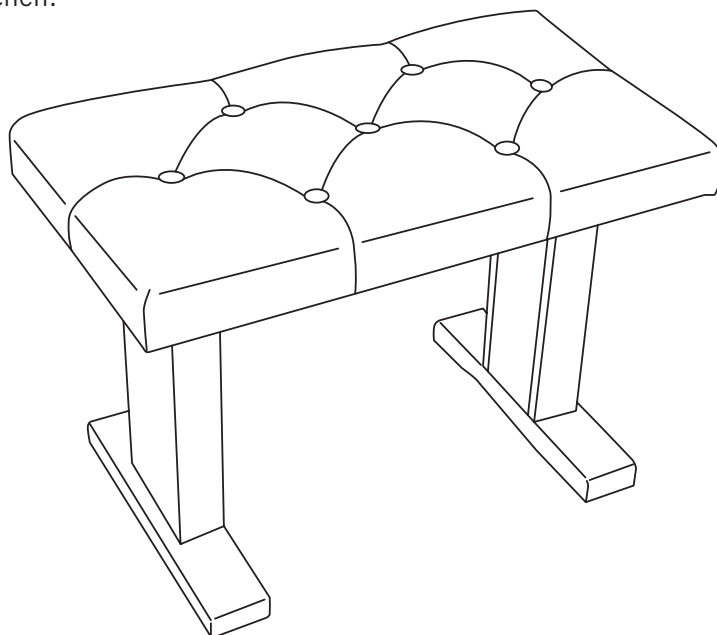
Feet (x2)



Bench Assembly (x1)



Bench Cushion (x1)



## KB9503B Product Specifications

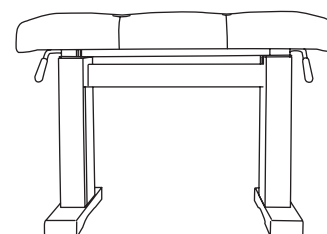
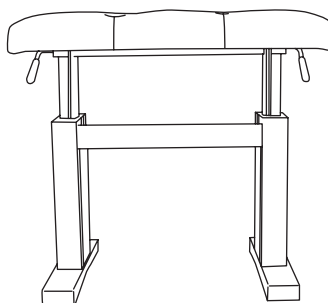
- Height Adjustment: 17" - 22"
- Weight Capacity: 330 lbs.
- Black gloss finish.
- Premium tufted bench top.
- Hydraulic height adjustment for easy use.

### REGISTER ONLINE. HERE'S WHY:

**Lightning Fast Service** - Get the fastest turn-around in the unlikely event of a warranty claim.

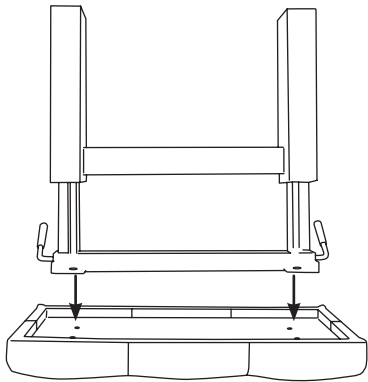
**Product Notifications** - We can contact you directly with product notifications and safety information.

**Better Products** - Your registration helps us to improve our products and develop new ones.

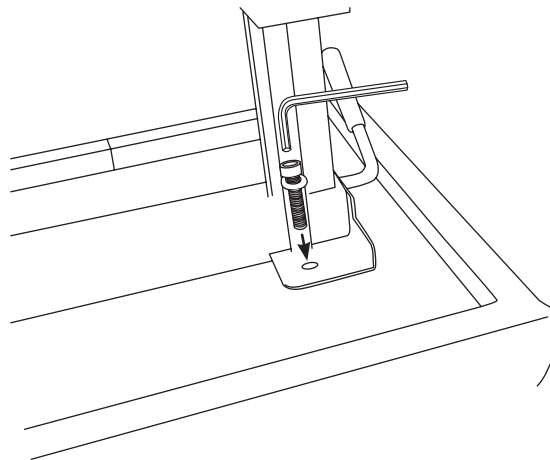


FAILURE TO OBSERVE PROPER ASSEMBLY INSTRUCTIONS, EXCEEDING THE WEIGHT CAPACITY OR FAILURE TO OBSERVE THE WARNINGS AS MENTIONED IN THIS INSERT MAY CAUSE BODILY INJURY OR EQUIPMENT DAMAGE AND WILL VOID THE PRODUCT WARRANTY.

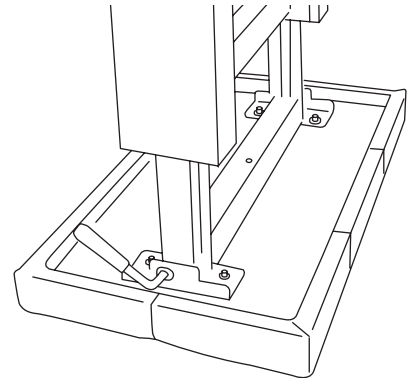
# ASSEMBLY INSTRUCTIONS



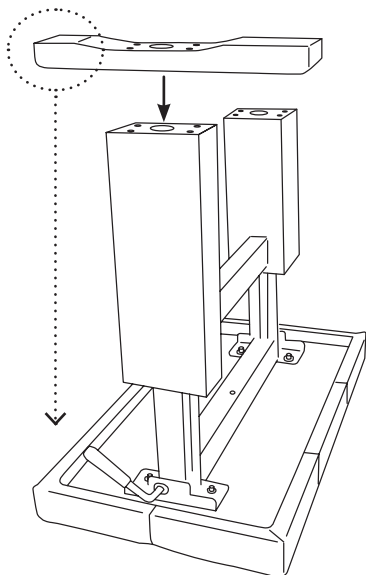
**1.** Place Bench Cushion up-side down on a flat surface. Align the holes of the Bench Assembly with the holes on the Bench Cushion.



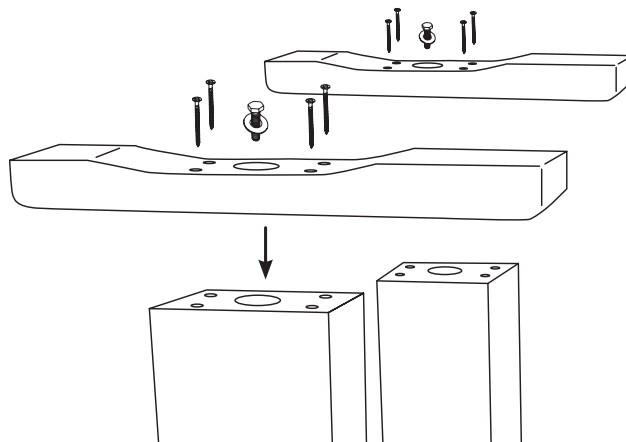
**2.** Attach the Bench Assembly to the Cushion using the 4 Screws and the Allen Key.



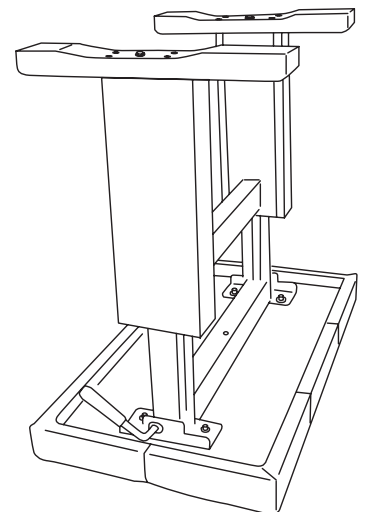
**3.** Make sure the Screws are secure.



**4.** Line up the holes on the Feet to the holes of the Bench Assembly and make sure the short side of the Feet are on the same side as the height-adjusting levers as indicated by the dotted line.



**5.** Once aligned, attach Feet to the Bench Assembly with the Wood Screws and a screwdriver. Next, tighten the Bolts using the Hex Wrench included.



**6.** Make sure the Wood Screws and Bolts are secure.

Questions or Concerns? Contact the Customer Service Department at [cs@MusicPeopleinc.com](mailto:cs@MusicPeopleinc.com) or call us at (800) 289-8889.