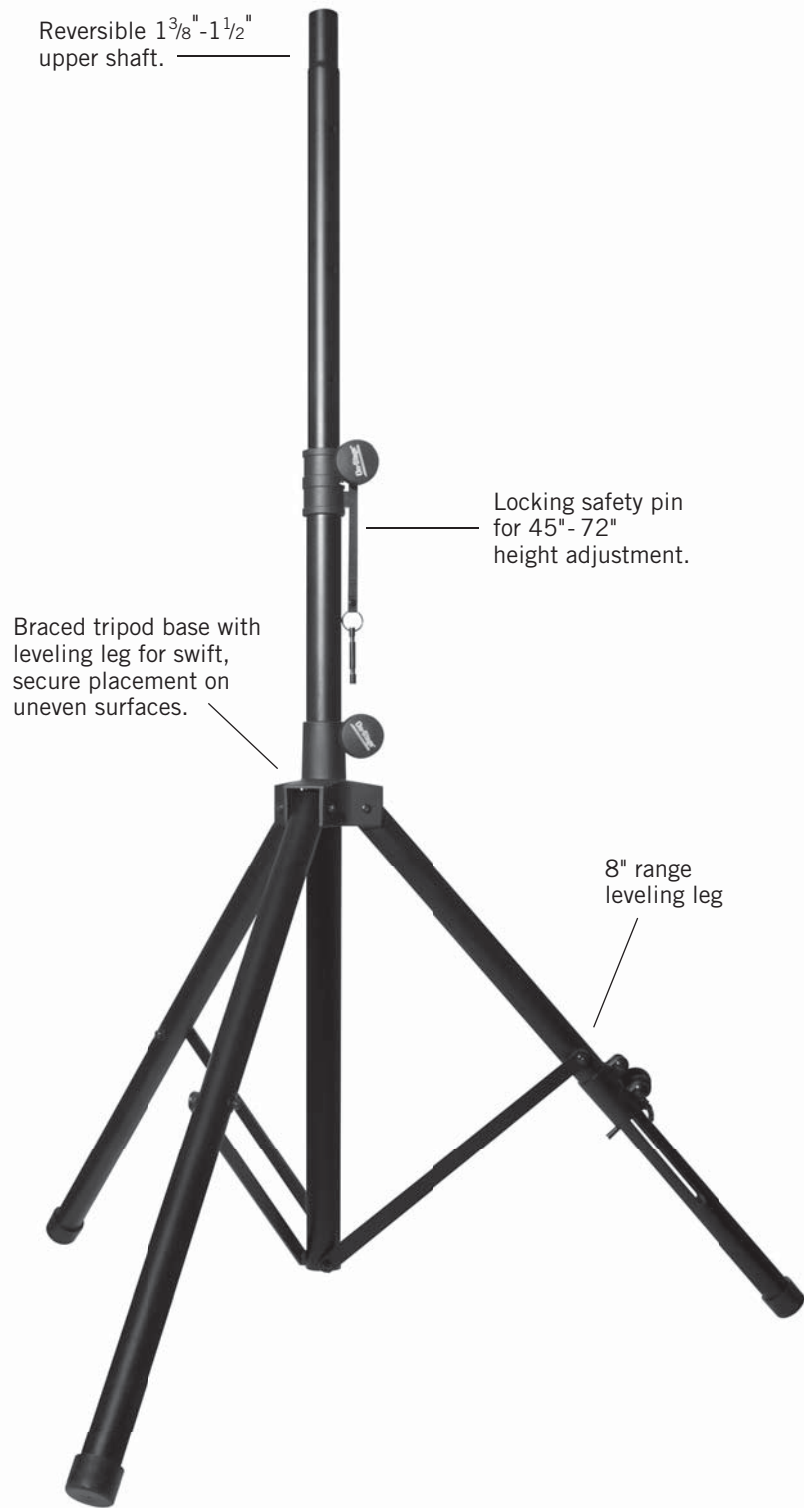


# Speaker Stand With Adjustable Leg

SS7762B | 13871

**On-Stage®**



Reversible 1<sup>3</sup>/<sub>8</sub>" - 1<sup>1</sup>/<sub>2</sub>" upper shaft.

Locking safety pin for 45" - 72" height adjustment.

Braced tripod base with leveling leg for swift, secure placement on uneven surfaces.

8" range leveling leg

## Features and Benefits

Lightweight, super-stable and highly adaptive, the On-Stage SS7762B speaker stand features a leveling leg for swift, secure placement on uneven surfaces -- including stairs! The SS7762B, our latest take on the best-selling SS7762B, utilizes black powder-coated aluminum construction and a reversible 1-3/8" to 1-1/2" upper shaft with safety locking pin for 110 lbs. of speaker support and 45-72" height adjustment. Best of all, the braced tripod base with non-slip rubber feet and 8" range leveling leg ensures precise, worry-free speaker projection in even the most challenging performance spaces.



## Product Specifications

Height Adj.	45"-72"
Weight Capacity	110 lbs.
Leveling Leg	From level to 8"
Construction	Lightweight Aluminum

## Pricing

Model #	SS7762B
Inv. #	13871
List Price	\$95.99
Map Price	\$59.95

Call your On-Stage rep at 1.800.289.8889 | email: [purchaseorders@musicpeopleinc.com](mailto:purchaseorders@musicpeopleinc.com) | [On-Stage.com](http://On-Stage.com)

This product is Safely Formulated. More info: [on-stage.com/FeelGood\\_OnStage](http://on-stage.com/FeelGood_OnStage). On-Stage® is a registered trademark of The Music People, Inc. Prices/specifications subject to change.