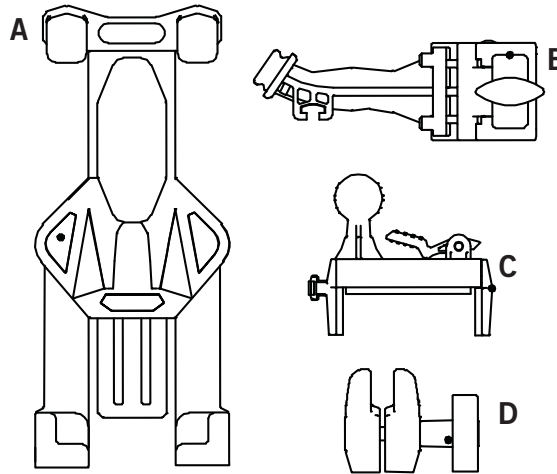


Tablet / Smart Phone Holder

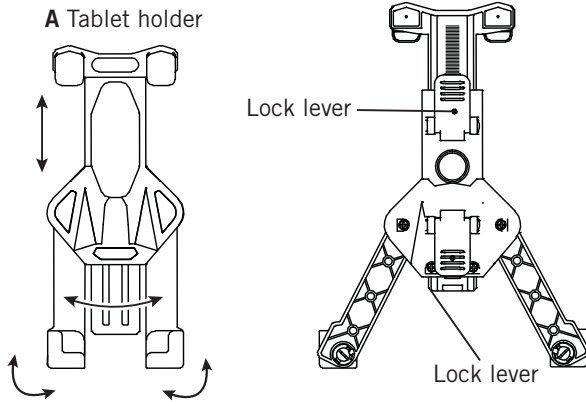
TCM1500



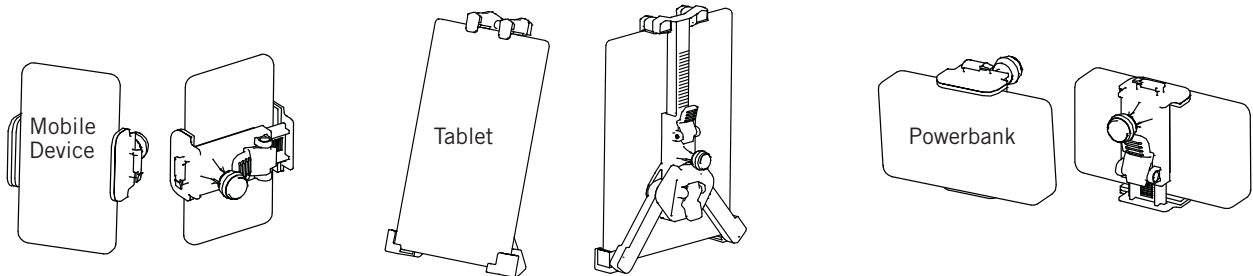
- A Tablet holder
- B Main clamp
- C Mobile device/ Powerbank holder
- D Adapter



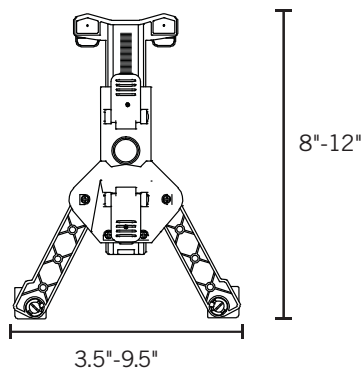
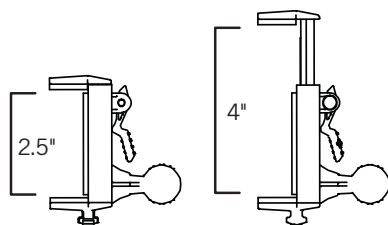
Tablet holder functions



Multiple products can be held securely



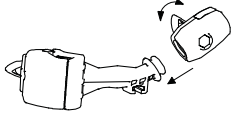
Mobile device/powerbank can extend from 2.5" - 4"



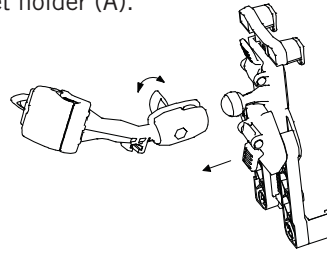
Tablet holder can extend to accommodate a vast array of tablet sizes.

Assembly Instructions

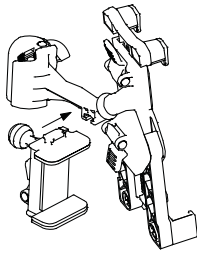
1. Assemble main clamp (B) to adapter (D).



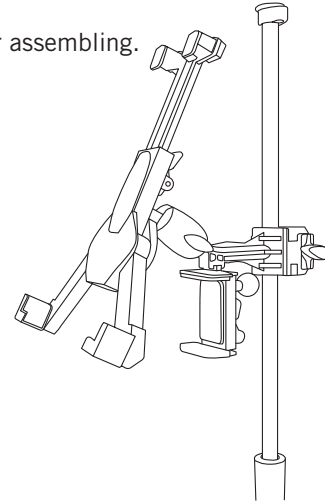
2. Assemble adapter (D) to tablet holder (A).



3. Assemble mobile device/powerbank holder (C) to main clamp (B).

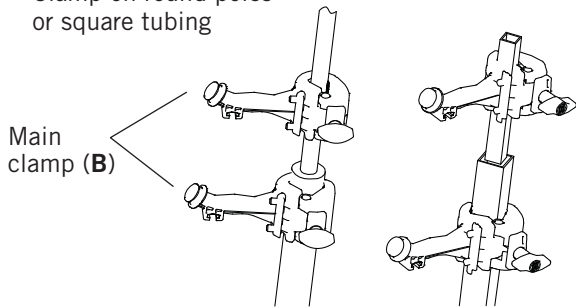


4. Final result after assembling.

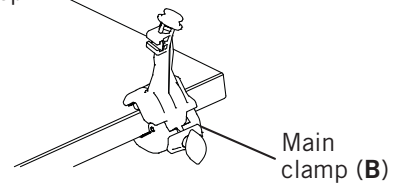


Multiple ways to utilize the holder

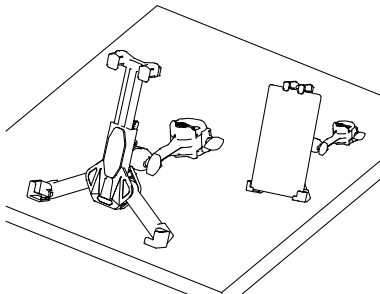
Clamp on round poles or square tubing



Clamp on a desktop



Placed on a desktop



Remove the clamp and attach adapter (D) on top of $\frac{5}{8}$ " - 27 thread.

