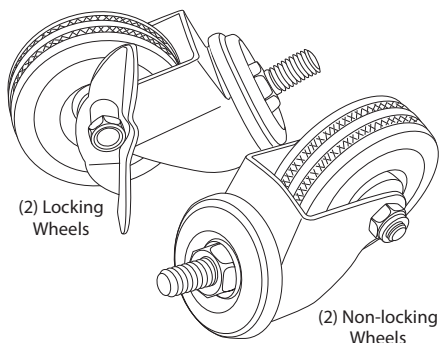


ASSEMBLY INSTRUCTIONS

Congratulations on the purchase of your new WSR7500 Rack Cabinet. Please read the below instructions carefully. *We hope you enjoy your new purchase!*

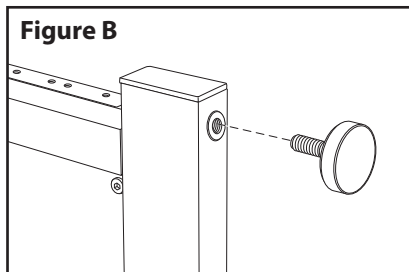
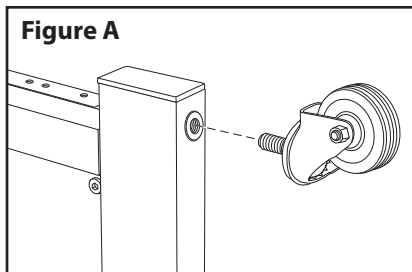
PREPARATION: Remove the following parts from the box and identify all the parts:



ASSEMBLING INSTRUCTIONS

1. Locate the four holes on the bottom of the legs of the rack cabinet. Insert the (2) Locking wheels into the front holes and the (2) Non-locking wheels into the back holes and tighten. (DO NOT OVERTIGHTEN). (**Figure A**).

*(These wheels may be used in place of the feet that were provided with the rack cabinet. **Figure B**.)*



NOTE: The wheels will raise the overall height of the Rack Stand by approximately 2.25".