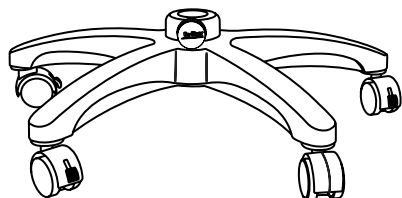


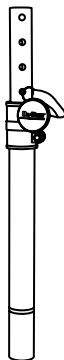
MIX400v2 Mobile Equipment Stand



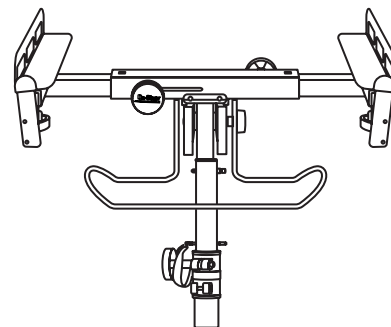
Components:



Base
(with wheels)

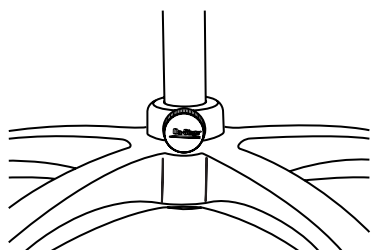


Vertical Shaft
(with Height-Adjustment Pin)



Support Frame
(with Support Arms)

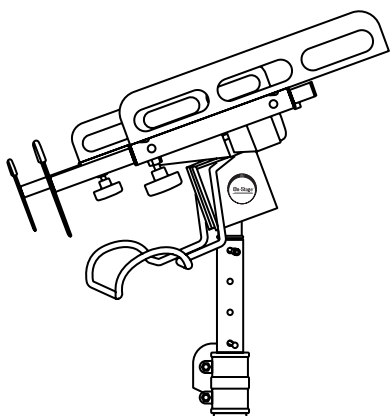
Assembly and Set Up Instructions



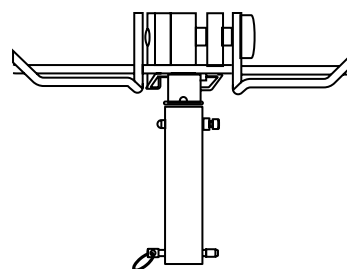
1. Loosen the knob on the Base. Fully insert the bottom end of the Vertical Shaft into the Base socket and tighten the knob.



2. On the Vertical Shaft, loosen the height-adjustment knob. Slide the upper section of the shaft to the desired height. Insert the Height-Adjustment Pin into the hole closest to the knob and tighten the knob.



Note: To mount a 1U rackmount device to the Support Frame, loosen the knob on both side bars. Remove both Support Arms, flip them so the rackmount brackets point up, insert them back into the side bars, and tighten the knobs. A rackmount device can now be mounted using rack screws.



3. Insert the shaft on the bottom of the Support Frame into the top of the Vertical Shaft until the button snaps into place. Tighten the socket-head cap screw with the hex key.

If you have questions or comments, contact our customer service department at cs@musicpeopleinc.com or (800) 289-8889.