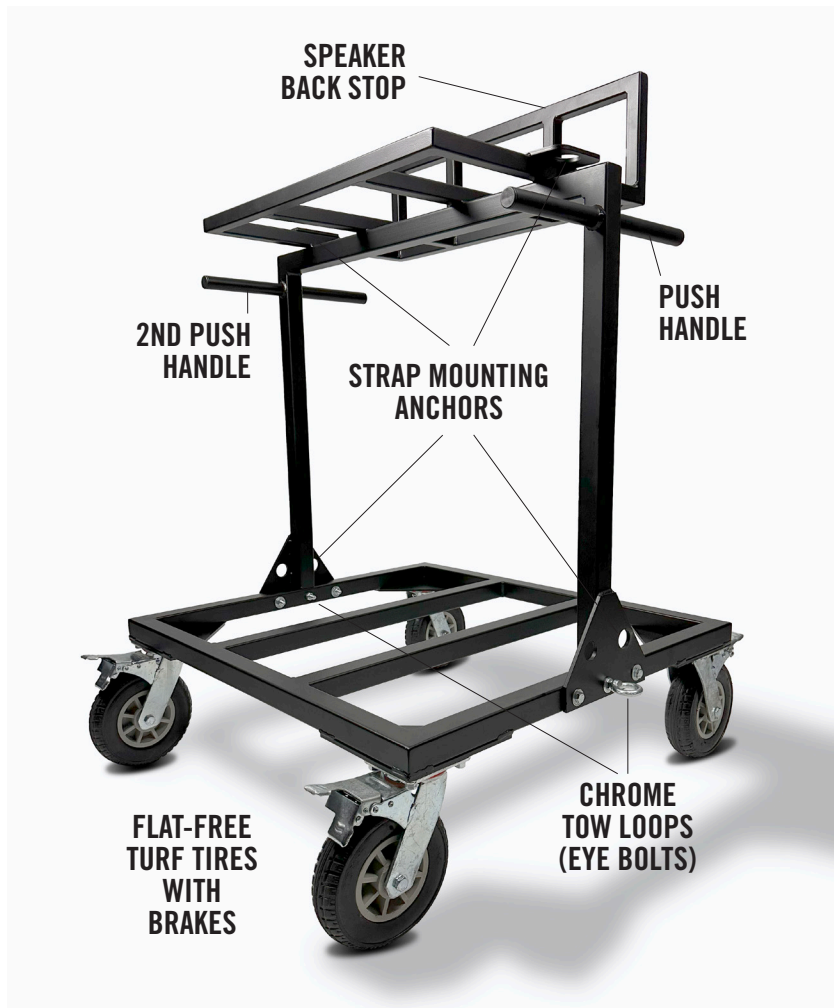


NEW PRODUCT ALERT!

SFC9000 / ALL-TERRAIN HEAVY-DUTY SPEAKER FIELD CART



OVERVIEW

The SFC9000 All-Terrain Heavy-Duty Speaker Field Cart was designed to safely serve the B&O and Pro Audio markets. From small outdoor public address applications to fully-integrated marching band performances, the On-Stage Speaker Cart is essential to getting on and off the field quickly and safely.

KEY FEATURES

Completely welded frame supports most sub-woofers including: JBL (PRX-918XLF, SRX-818SP, EON-618S); EV (ELX200-18SP, ELX118P, EKX18SP, ETX18SP); Martin (Backline X118, SX118, SCX118, XSP118); Mackie (Thump 18S, DRM18S, SR18S) and bolt-on cross member to support most full-range top speakers

8" Flat-free turf tires with full-swivel casters and brakes

2 convenient eyebolts for towing

Speaker back stop for extra security

Second handle allows for two-person operation

Universal strap mounting anchors for sub and top

SPECIFICATIONS

Manufacturing Location: U.S.A.

Construction: 1½" x 1½" Steel Tubing

Color: Black Powder Coat Finish

Width: 85 cm (33½")

Height: 106 cm (41¾")

Depth: 85 cm (33½")

Weight: 110 lb

Shipping: On Pallet – LTL Freight Collect

Weight Capacity: 300 lb

Email your On-Stage National Account Manager: Sales@MusicPeopleInc.com or call toll-free: 1-800-289-8889

This product is safely formulated. For further info, visit: On-Stage.com/FeelGood_OnStage. Specifications are subject to change. On-Stage is a registered trademark and division of The Music People. © 2023 The Music People, Inc. an Exertis | Jam business. **DISCLAIMER:** Any information transmitted from The Music People, Inc. (TMP) is for quoting purposes only and is property of TMP. You are prohibited to use, reproduce, or transmit in any fashion, any of this information to a third party. Any information on the following pages is property of TMP regardless of whether you have been contracted by TMP. Use of the following information without TMP's written permission is prohibited and will lead to a disruption in our business relationship and severe legal action.