

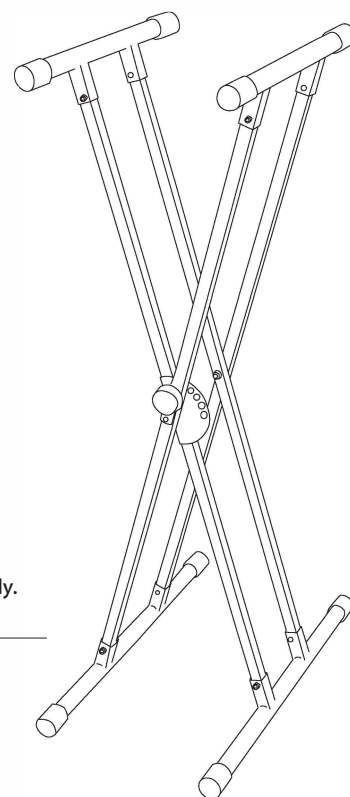
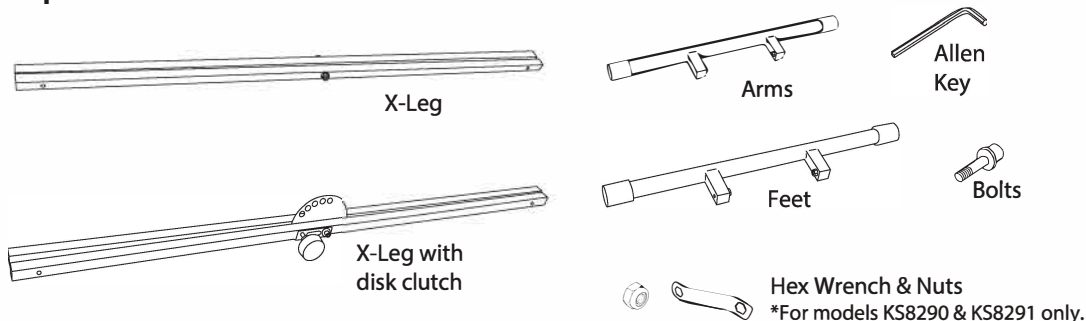
X-STYLE KEYBOARD STAND ASSEMBLY INSTRUCTIONS

For models KS8190, KS8191, KS8390, KS8391, KS8290, & KS8291

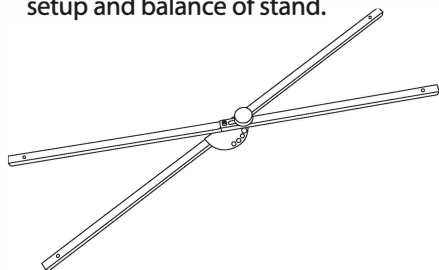
Visit On-Stage.com for the most recently-updated instructions.

BEFORE YOU BEGIN: Remove all contents from the box and identify the parts using these diagrams. Appearance may vary depending on your model but assembly steps apply to all models.

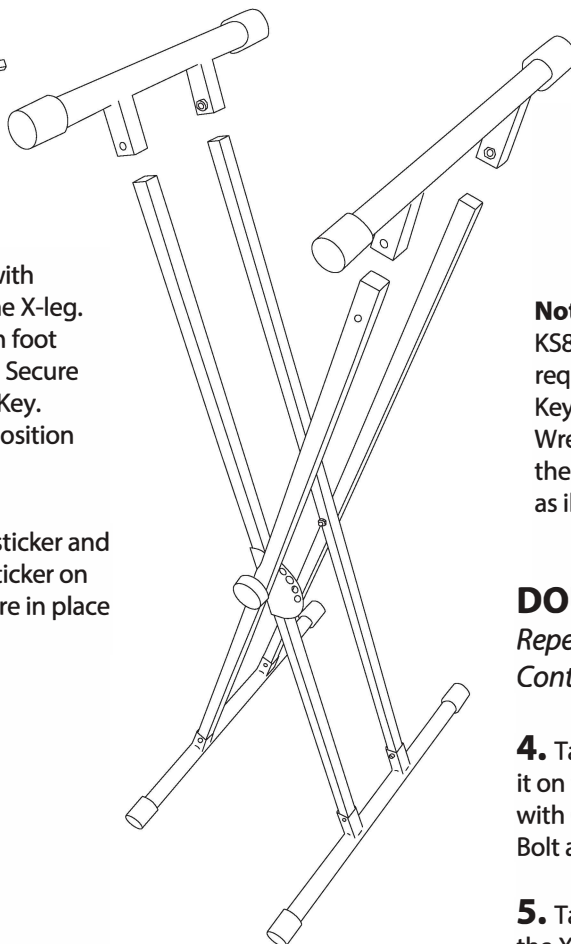
Components *Not drawn to scale.



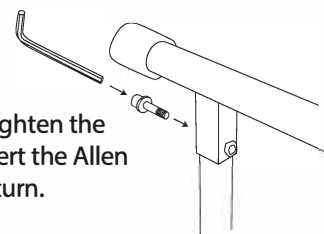
1. Set disk clutch in middle position for ease of setup and balance of stand.



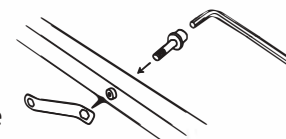
2. Take bottom right foot with Yellow sticker and fit it on the X-leg. Line up the Yellow sticker on foot with Yellow sticker on X-leg. Secure in place with Bolt and Allen Key. Leave stand in the upright position to complete assembly.



Tip: To tighten the Bolts, insert the Allen Key and turn.



Note: Models KS8290 & KS8291 require the Allen Key and Hex Wrench to secure the Nuts and Bolts as illustrated.



3. Take bottom left foot with Green sticker and fit it on the X-leg. Line up the Green sticker on foot with Green sticker on X-leg. Secure in place with Bolt and Allen Key.

CAUTION

FAILURE TO OBSERVE PROPER ASSEMBLY INSTRUCTIONS, EXCEEDING THE WEIGHT CAPACITY OR FAILURE TO OBSERVE THE WARNINGS AS MENTIONED IN THIS INSERT MAY CAUSE STAND TO COLLAPSE, BODILY INJURY OR EQUIPMENT DAMAGE AND WILL VOID THE PRODUCT WARRANTY.

Questions or Concerns?

Contact the Customer Service Department at cs@musicpeopleinc.com or call us at (800)289-8889

DOUBLE-X MODELS ONLY:

Repeat steps 1 and 3 for the rear X-leg. Continue to Step 4.

4. Take top right arm with Orange sticker and fit it on the X-leg. Line up the Orange sticker on arm with Orange sticker on X-leg. Secure in place with Bolt and Allen Key.

5. Take top left arm with Blue sticker and fit it on the X-leg. Line up the Blue sticker on arm with Blue sticker on X-leg. Secure in place with Bolt and Allen Key.