

## Lighting Stand Specifications for the LS7720BLT

### Vertical Shaft Specifications

Top shaft diameter: 38mm  
Middle shaft diameter: 41mm  
Lower shaft diameter: 45mm

### Vertical Shaft Height adjustment

Maximum height : 124"

Upper shaft: 2 preset adjustment holes 8" on center. 33" Usable shaft length

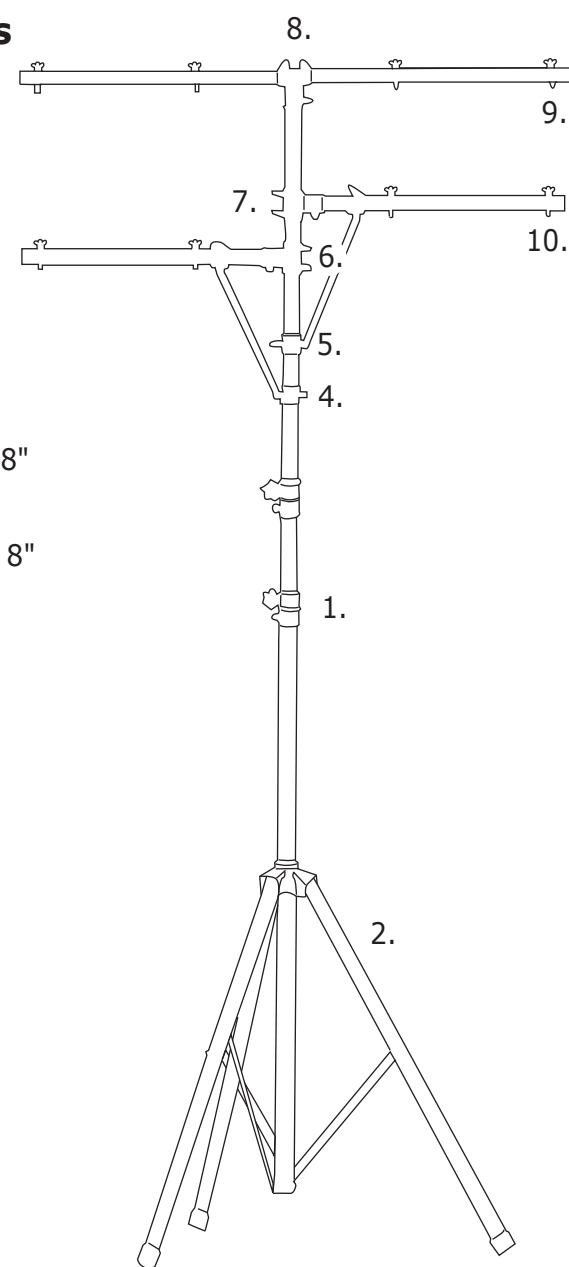
Middle shaft: 5 preset adjustment holes 8" on center. 38" Usable shaft length

Lower shaft: 51" fixed height from floor

### Safety factor

Base leg spread is 36" to 48"

**Total Weight Capacity:** 110lbs.



## Assembly Instructions for the LS7720BLT

1. Set vertical shafts at their lowest position for your convenience.
2. Set the legs to the desired base spread to support the weight of your pars.
3. Move stand to the desired location.
4. Slide the support sleeve for one of the 24-inch side bars on to the top vertical shaft. Do not tighten knob completely.
5. Slide the support sleeve for the second 24-inch side bars on to the top vertical shaft. Do not tighten knob completely.
6. Slide one of the 24-inch bars on to the top of the shaft.
7. Slide the second bar onto the top of the shaft.
8. Place the top 48-inch bar on the end of the upper shaft.
9. Install a par can on the right side of the top 48-inch bar. **It is important this step is done before setting the 2 lower support arms in place.** Once there is enough clearance tighten the lower side bars in place.
10. Install the remaining par cans.
11. Raise stands to desired height and tighten knobs.
12. Insert the included safety pins through the pre-drilled holes on the vertical shaft.

### ⚠ CAUTION

ALWAYS ALLOW AT LEAST 2" OF THE VERTICAL SHAFT INSIDE THE CLUTCH

### ⚠ IMPORTANT

**DO NOT** USE THIS PRODUCT WITHOUT THE SAFETY PIN IN PLACE.

### ⚠ CAUTION

FAILURE TO OBSERVE PROPER ASSEMBLY INSTRUCTIONS, EXCEEDING THE WEIGHT CAPACITY OR FAILURE TO OBSERVE THE WARNINGS AS MENTIONED IN THIS INSERT MAY CAUSE STAND TO COLLAPSE, BODILY INJURY OR EQUIPMENT DAMAGE AND WILL VOID THE PRODUCT WARRANTY.