

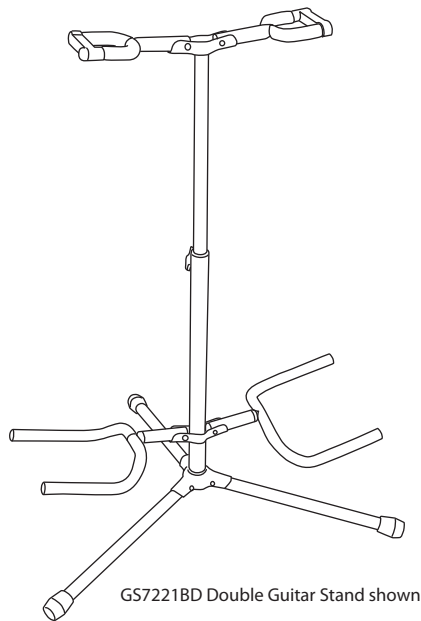
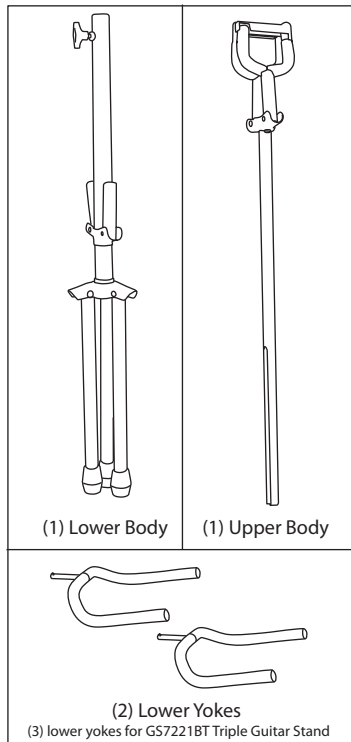
GS7221BD – Double Guitar Stand / GS7221BT – Triple Guitar Stand

ASSEMBLY INSTRUCTIONS

Congratulations on your purchase. Please read the below instructions carefully.
We hope you enjoy your new purchase!

PREPARATION:

Remove the following parts from the box and identify all of the parts:



**On-Stage
Stands®**

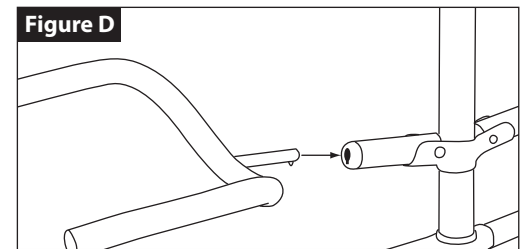
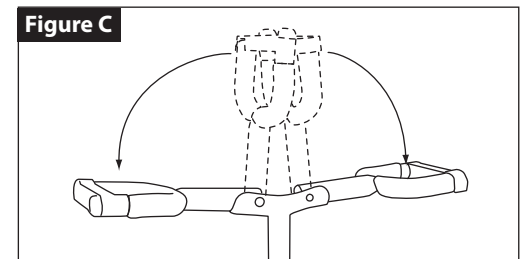
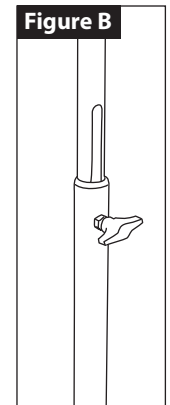
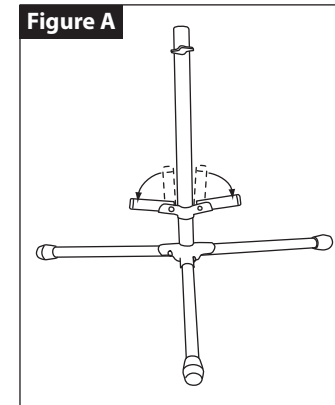
© 2008 TMP, Inc.
Designed and engineered in the USA
Printed and manufactured in China
www.onstagestands.com

Continued on back

Continued from front

ASSEMBLY INSTRUCTIONS:

1. Take the lower body and unfold the legs. Unfold the lower yoke brackets. **Figure A**
2. Take the upper body and insert the shaft into the lower body while aligning the indent with the bolt on the shaft of the lower body. Tighten thumb knob. **Figure B**
3. Fold down upper yokes. **Figure C**
4. Take one lower yoke. Locate the keyed stem and insert it into the keyhole on the lower yoke bracket. Rotate lower yoke so that it locks in place. **Figure D**
5. Repeat step 4 for remaining lower yoke(s).
6. Adjust to desired height and retighten thumb knob.



© 2008 TMP, Inc.
Designed and engineered in the USA
Printed and manufactured in China
www.onstagestands.com

**On-Stage
Stands®**