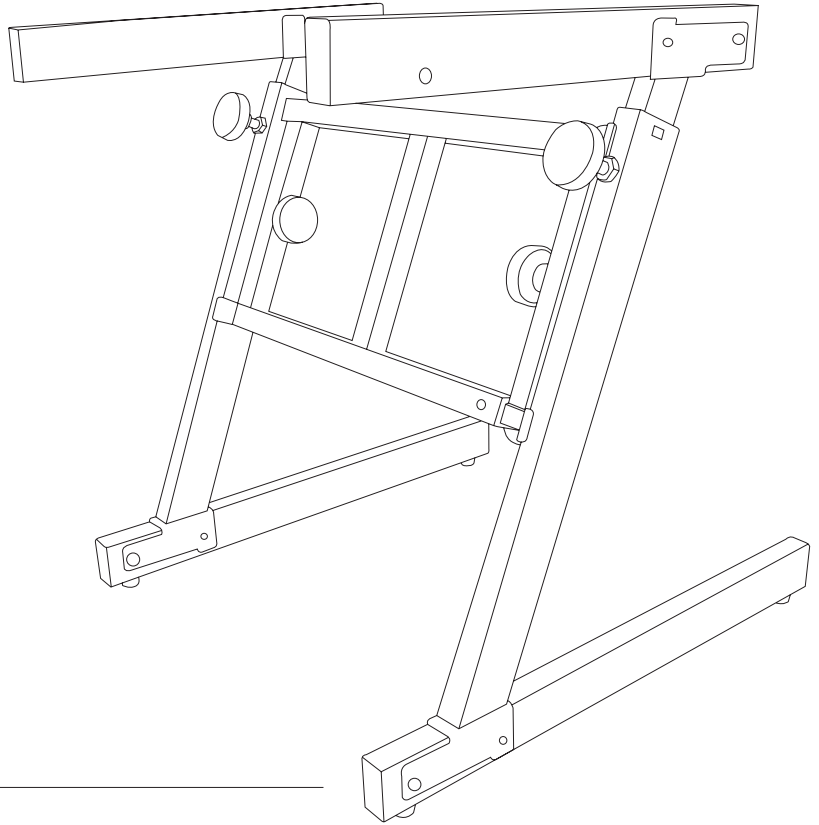


KS7350 FOLDING Z KEYBOARD STAND

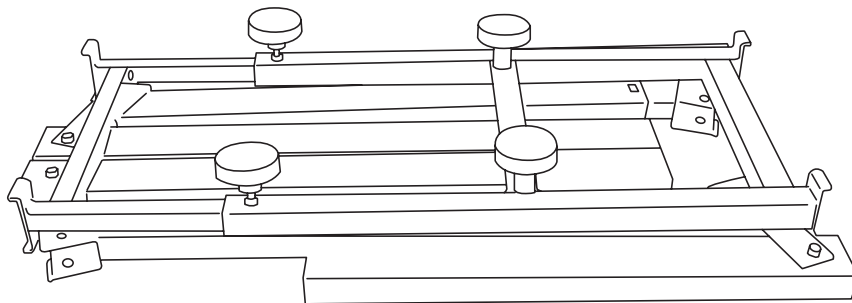
Congratulations on your purchase of the KS7350 Folding Z Keyboard Stand! Please read the following instructions carefully. *We hope you enjoy your new purchase.*



KS7350 Folding Z Keyboard Stand Specifications

- Structural Tubing: 1" x 2"
- Center Box Tubing: 3/4"
- Weight Capacity: 375 lbs. total
- Construction: All-welded
- Color: Black Powder Coat Finish

Components:



Bracket & Leg Assembly (x1)

REGISTER ONLINE. HERE'S WHY:

Lightning Fast Service - Get the fastest turn-around in the unlikely event of a warranty claim.

Product Notifications - We can contact you directly with product notifications and safety information.

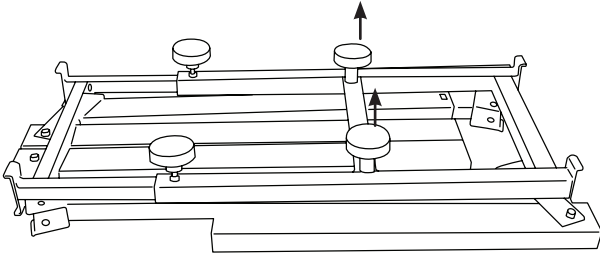
Better Products - Your registration helps us to improve our products and develop new ones.

Assembly Instructions

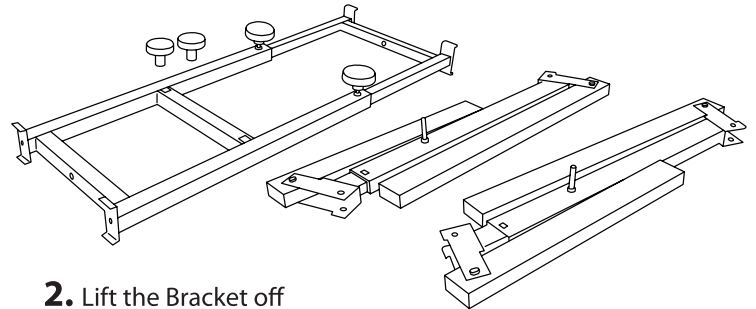
BEFORE YOU BEGIN: Remove all contents from the box and identify parts using diagrams.

CAUTION

FAILURE TO OBSERVE PROPER ASSEMBLY INSTRUCTIONS, EXCEEDING THE WEIGHT CAPACITY OR FAILURE TO OBSERVE THE WARNINGS AS MENTIONED IN THIS INSERT MAY CAUSE STAND TO COLLAPSE, BODILY INJURY OR EQUIPMENT DAMAGE AND WILL VOID THE PRODUCT WARRANTY.



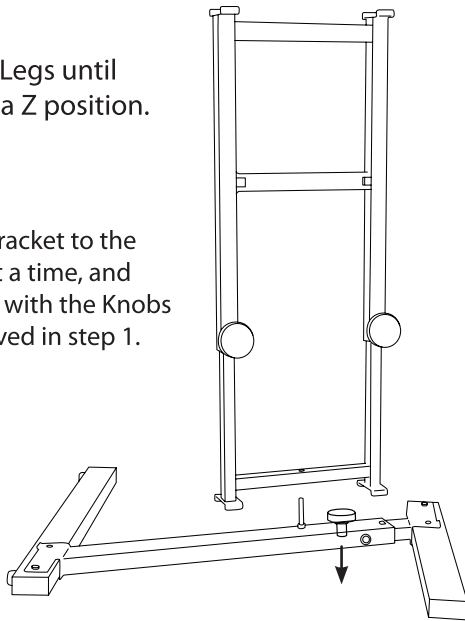
1. Remove the female Knobs from the Bracket & Leg Assembly.



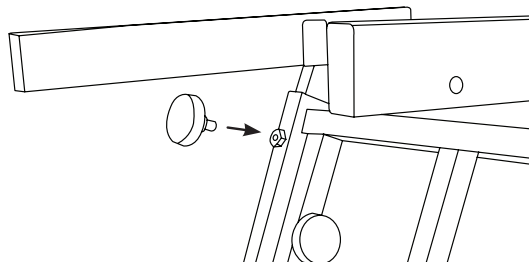
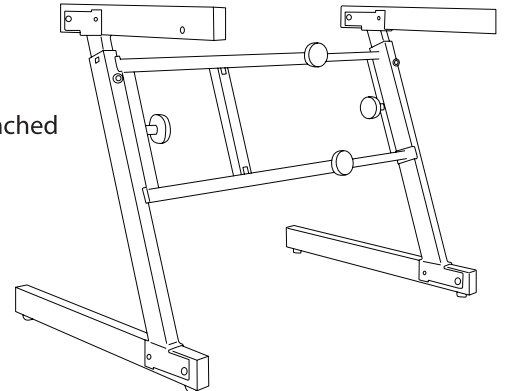
2. Lift the Bracket off the Legs to detach.

3. Unfold the Legs until they click into a Z position.

4. Attach the Bracket to the Legs, one Leg at a time, and tighten in place with the Knobs that were removed in step 1.



5. Once you have attached the Bracket and Legs, position the stand so it is standing up.



6. Insert the M10 x 20 Knobs into the welded Nuts on the Brackets. Use these Knobs to adjust the height of the stand to your liking.

