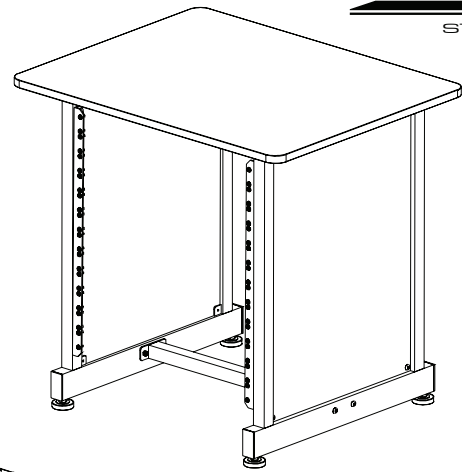


WSR7500

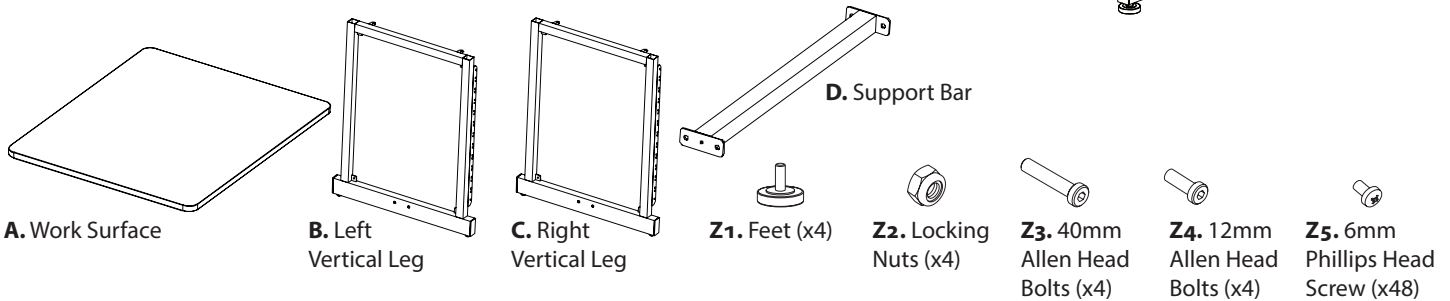
RACK CABINET

Congratulations on your purchase of the WSR7500 Rack Cabinet! Please read the following instructions carefully. We hope you enjoy your new purchase.



Components

*Parts not drawn to scale.



Also included: Allen Wrench

Tools Required: Level, Hammer, #2 Phillips Head Screw Driver, & 3/8 Wrench

Assembly Instructions

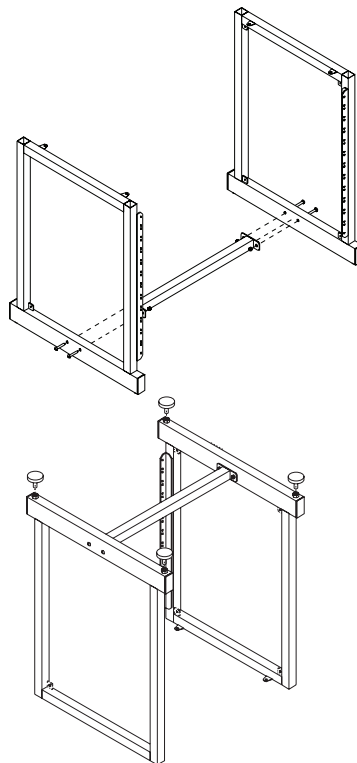
Visit [On-Stage](#) for the most recently updated instructions.

Assembly of the Metal Structure:

1. Take the Left Vertical Leg (B) and locate the two holes on the lower horizontal tubing. Take the support bar (D) and install one end in the lower two holes using two 40mm Allen Head Bolts (Z3) and two Locking Nuts (Z2).

2. Take the Right Vertical Leg (C) and locate the two holes on the lower horizontal tubing. Install the other end of the Support Bar (D) in the lower two holes using two 40mm Allen Head Bolts (Z3) and two Locking Nuts (Z2).

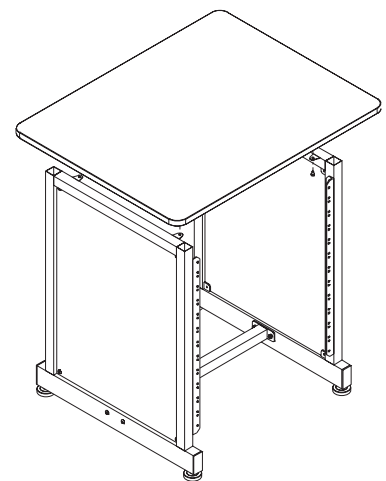
3. Flip the assembly from Step 2 upside down and locate the four holes on the bottom of the legs. Take the four rubber Feet (Z1) and fasten them into the holes. Flip the assembly right side up and adjust the rubber feet for height and leveling.



Attaching the Work Surface:

3. Take the Work Surface (A). Align the metal inserts on the underside of the Work Surface (A) with the holes in the metal tabs on the vertical legs.

4. Take the 12mm Allen Head Bolts (Z4) and attach the Work Surface (A) to the vertical legs. (Do not over tighten)



CAUTION

FAILURE TO OBSERVE PROPER ASSEMBLY INSTRUCTIONS, EXCEEDING THE WEIGHT CAPACITY OR FAILURE TO OBSERVE THE WARNINGS AS MENTIONED IN THIS INSERT MAY CAUSE STAND TO COLLAPSE, BODILY INJURY OR EQUIPMENT DAMAGE AND WILL VOID THE PRODUCT WARRANTY.

Attaching Your Rack Mountable Audio Equipment:

5. Utilize the 6mm Screws (Z5) to mount up to 12 rack units of gear. Follow the manufacturers recommendations for proper spacing of rack units.

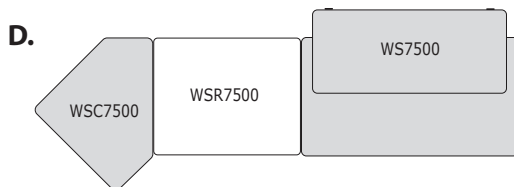
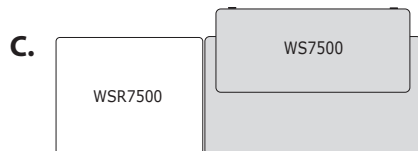
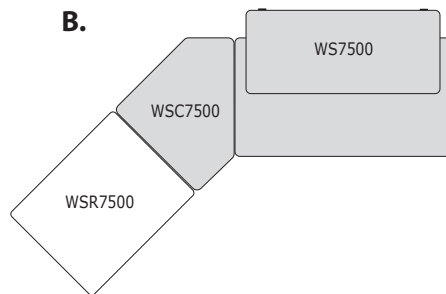
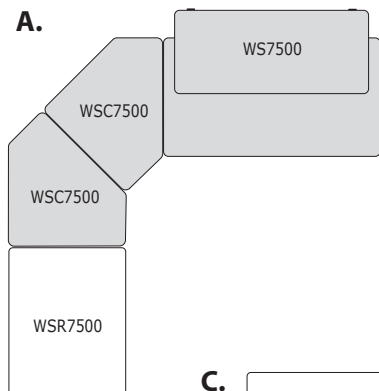
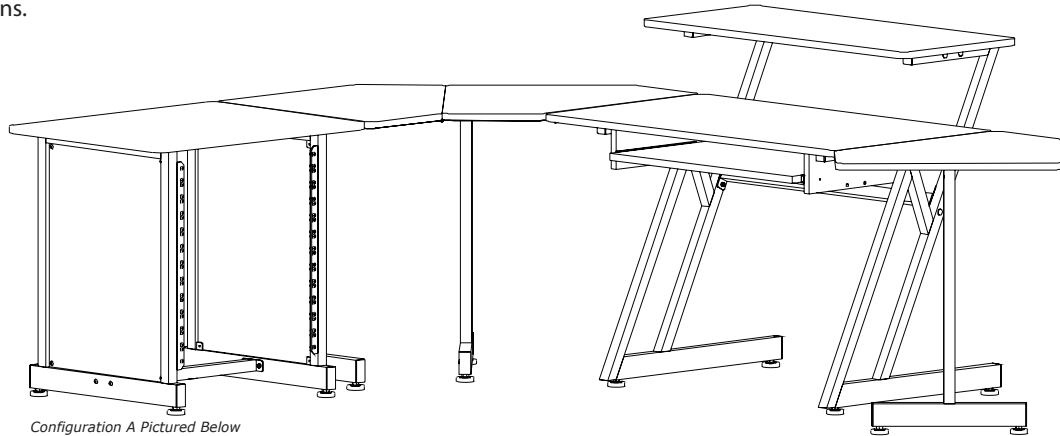
IMPORTANT: Before using your stand, be sure that all bolts and nuts are fully tightened.

Note: If desired, the height can be adjusted by spinning the small rubber feet clockwise to lower the height or counter clockwise to raise the height. Place a level on the main work surface to be sure the WSR7500 is level before placing any equipment on the workstation.

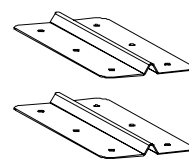
*The WSR7500 weight capacity is 200lbs.

Optional Workspace Configurations with the WSR7500

The WSR7500 can be used as a stand-alone unit, or it can be combined with the WSC7500 and WS7500 to create the ideal workstation. Illustrated below are just a few possible configurations.



Additional Products Sold Separately



WSB7500 - Mounting Brackets are available to mount the rack cabinet directly to the WSC7500 or WS7500 Workstation system.

REGISTER ONLINE. HERE'S WHY:

Lightning Fast Service - Get the fastest turn-around in the unlikely event of a warranty claim.

Product Notifications - We can contact you directly with product notifications and safety information.

Better Products - Your registration helps us to improve our products and develop new ones.